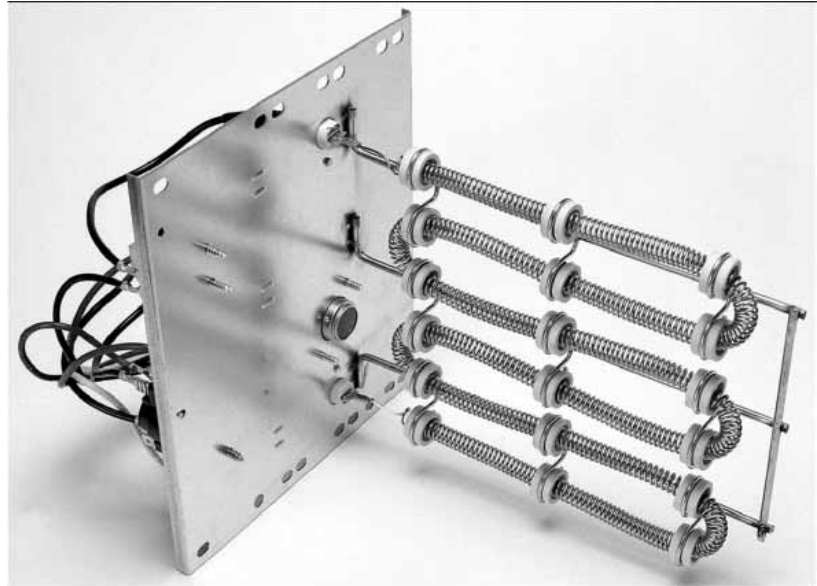


REPAIR PARTS

HKR / HKA/ HKP Heater Kits

HKA-15CA
HKA-20CA
HKP-15CA
HKP-20CA
HKR-03
HKR-03A
HKR-05
HKR-05A
HKR-05C
HKR-05CA
HKR-05CB
HKR-06
HKR-06A
HKR-08
HKR-08A
HKR-08C
HKR-08CA
HKR-08CB
HKR-10
HKR-10A
HKR-10C
HKR-10CA
HKR-10CB
HKR-15C
HKR-15CA
HKR-15CB
HKR-15CAA
HKR-15CBA
HKR-20C
HKR-20CA
HKR-20CB
HKR-20CAA
HKR-20CBA
HKR-21C
HKR-21CA
HKR-21CB
HKR3-15
HKR3-15A
HKR3-15B
HKR3-20
HKR3-20A
HKR3-20B
HKR4-15A
HKR4-20A
HKR5-12A
HKR5-15A



This manual is to be used by qualified technicians only.

This manual replaces RP-401C.

© 2009-2012 Goodman Manufacturing Company, L.P. ♦ 5151 San Felipe, Suite 500 ♦ Houston, TX 77056

Important Information

Index

Functional Parts List	3
Illustration and Parts	4 - 13

Views shown are for parts illustrations only, not servicing procedures.

Rev D: Addition of HKA-15CA, HKA-20CA, HKP-15CA and HKP-20CA
HKA are for air handlers
HKP are for package units

Text Codes:

- AR - As Required
- NA - Not Available
- NS - Not Shown
- 00000000 - See Note
- QTY - Quantity Example (QTY 3) (If Quantity not shown, Quantity = 1)
- M - Model Example (M1) (If M Code not shown, then part is used on all Models)

Expanded Model Nomenclature:

Example M1 - Model#1 M2 - Model#2 M3 - Model#3

Goodman Manufacturing Company, L.P. is not responsible for personal injury or property damage resulting from improper service. Review all service information before beginning repairs.

Warranty service must be performed by an authorized technician, using authorized factory parts. If service is required after the warranty expires, Goodman Manufacturing Company, L.P. also recommends contacting an authorized technician and using authorized factory parts.

Goodman Manufacturing Company, L.P. reserves the right to discontinue, or change at any time, specifications or designs without notice or without incurring obligations.

For assistance within the U.S.A. contact:
Consumer Affairs Department
Goodman Manufacturing Company, L.P.
7401 Security Way
Houston, Texas 77040
877-254-4729-Telephone
713-863-2382-Facsimile

For assistance outside the U.S.A. contact:
International Division
Goodman Manufacturing Company, L.P.
7401 Security Way
Houston, Texas 77040
713-861-2500-Telephone
713-863-2382-Facsimile

Functional Parts

Part No: **Description:**

CONT3P040024V	CONTACTOR 40 AMP, 3P, 24V (M37, M38, M39, M40, M41, M42, M43, M44, M45, M46)
0200086001P	FUSE LINK (M5, M6, M7, M8, M9, M10, M11, M12, M13, M14, M15, M16, M17, M18, M19, M20, M21, M22, M23, M24, M25, M26, M29, M30, M31, M34, M35, M36, M37, M38, M39, M40, M41, M42, M43, M44, M45, M46)
0200054001P	LIMIT (M5, M6, M7, M8, M9, M10, M11, M12, M13, M14, M15, M16, M17, M18, M19, M20, M21, M22, M23, M24, M25, M26, M29, M30, M31, M34, M35, M36, M37, M38, M39, M40, M41, M42, M43, M44, M45, M46)
B1370783	RELAY 30 AMP, 2P (M7, M9, M14, M16, M21)

Expanded Model Nomenclature

M1 - HKA-15CA
M2 - HKA-20CA
M3 - HKP-15CA
M4 - HKP-20CA
M5 - HKR-03
M6 - HKR-03A
M7 - HKR-05
M8 - HKR-05A
M9 - HKR-05C
M10 - HKR-05CA
M11 - HKR-05CB
M12 - HKR-06
M13 - HKR-06A
M14 - HKR-08
M15 - HKR-08A
M16 - HKR-08C
M17 - HKR-08CA
M18 - HKR-08CB
M19 - HKR-10
M20 - HKR-10A
M21 - HKR-10C
M22 - HKR-10CA
M23 - HKR-10CB
M24 - HKR-15C
M25 - HKR-15CA
M26 - HKR-15CAA
M27 - HKR-15CB
M28 - HKR-15CBA
M29 - HKR-20C
M30 - HKR-20CA
M31 - HKR-20CAA
M32 - HKR-20CB
M33 - HKR-20CBA
M34 - HKR-21C
M35 - HKR-21CA
M36 - HKR-21CB
M37 - HKR3-15
M38 - HKR3-15A
M39 - HKR3-15B
M40 - HKR3-20
M41 - HKR3-20A
M42 - HKR3-20B
M43 - HKR4-15A
M44 - HKR4-20A
M45 - HKR5-12A
M46 - HKR5-15A

HKR Kits Without Circuit Breakers

Image 1

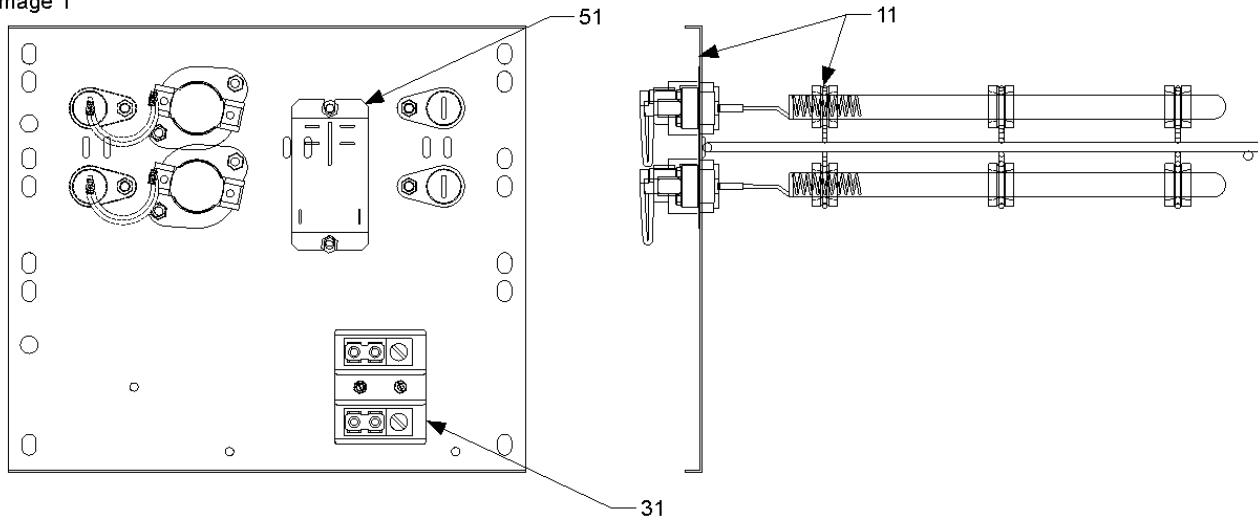


Image 2

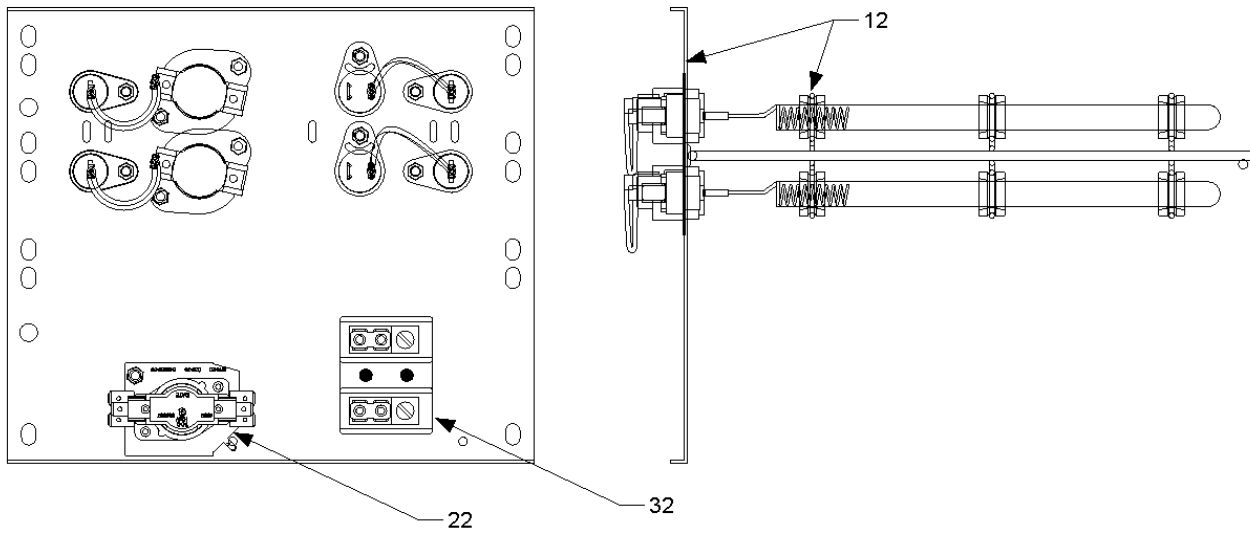
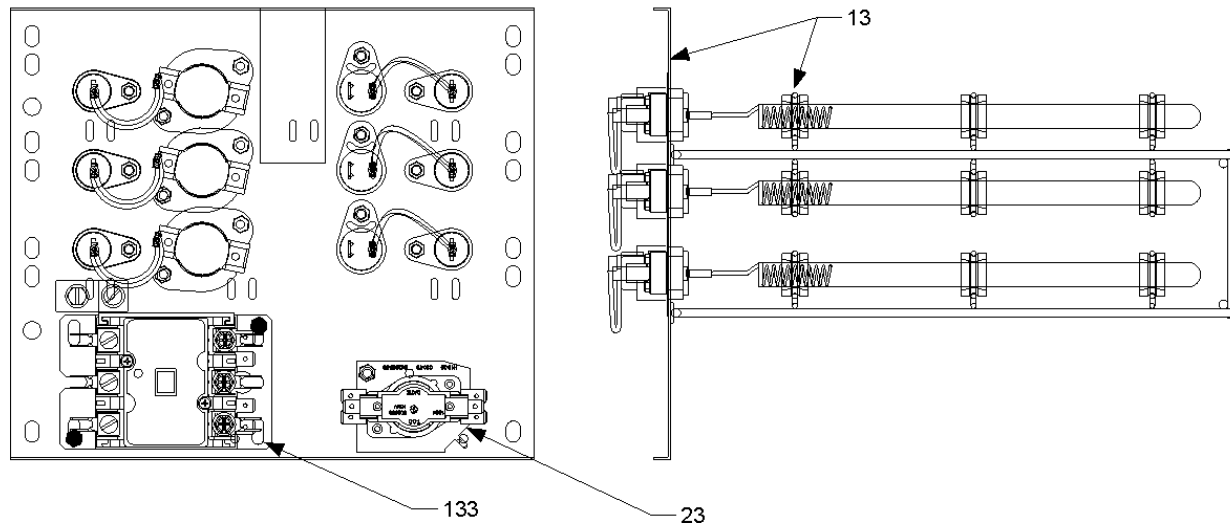


Image 3



HKR Kits Without Circuit Breakers

Ref. Part No: No:	Description:	Ref. Part No: No:	Description:
<i>Image 1:</i>		Expanded Model Nomenclature	
11	B1037501 HEATER ELEMENT 10.00 KW (M19)	M1	HKA-15CA
11	B1037497 HEATER ELEMENT 3.00 KW (M5)	M2	HKA-20CA
11	B1037505 HEATER ELEMENT 4.75 KW (M7)	M3	HKP-15CA
11	B1037499 HEATER ELEMENT 6.00 KW (M12)	M4	HKP-20CA
11	B1037507 HEATER ELEMENT 7.00 KW (M14)	M5	HKR-03
31	B1368250 TERMINAL BLOCK A-10 KW (M5, M7, M12, M14, M19)	M6	HKR-03A
51	B1370783 RELAY 30 AMP, 2P (M7, M14)	M7	HKR-05
NS	1378713 ASSY, WIRE HARNESS (M7, M14)	M8	HKR-05A
NS	1378700 ASSY, WIRE HARNESS 1-STAGE (M5, M12, M19)	M9	HKR-05C
<i>Image 2:</i>		M10	HKR-05CA
12	B1037514 HEATER ELEMENT 3.00 KW (M6)	M11	HKR-05CB
12	B1037515 HEATER ELEMENT 4.75 KW (M8)	M12	HKR-06
12	B1037516 HEATER ELEMENT 6.00 KW (M13)	M13	HKR-06A
12	B1037517 HEATER ELEMENT 7.00 KW (M15)	M14	HKR-08
12	B1037518 HEATER ELEMENT 9.50 KW (M20)	M15	HKR-08A
22	B1256558 SEQUENCER (M6, M8)	M16	HKR-08C
22	B1256559 SEQUENCER (M13, M15, M20)	M17	HKR-08CA
32	B1368250 TERMINAL BLOCK (HIGH VOLTAGE) (M6, M8, M13, M15, M20)	M18	HKR-08CB
NS	0259K00004 ASSY, WIRE HARNESS (M6, M8, M13, M15, M20)	M19	HKR-10
<i>Image 3:</i>		M20	HKR-10A
13	B1037511 HEATER ELEMENT 3-PHASE 15.00 KW (M37)	M21	HKR-10C
13	B1037521 HEATER ELEMENT 3-PHASE 15.00 KW (M38, M39)	M22	HKR-10CA
13	B1037512 HEATER ELEMENT 3-PHASE 20.00 KW (M40)	M23	HKR-10CB
13	B1037522 HEATER ELEMENT 3-PHASE 20.00 KW (M41, M42)	M24	HKR-15C
13	0175M00000 HEATER ELEMENT 3-PHASE 460 15.00 KW (M43, M45)	M25	HKR-15CA
13	0175M00001 HEATER ELEMENT 3-PHASE 460 20.00 KW (M44, M46)	M26	HKR-15CAA
23	B1256559 SEQUENCER (M38, M39, M41, M42, M43, M44)	M27	HKR-15CB
23	0130M00023 SEQUENCER "CE" (M45, M46)	M28	HKR-15CBA
23	B1256552 SEQUENCER 8 - 10 KW (M37, M40)	M29	HKR-20C
133	CONT3P040024V CONTACTOR 40 AMP, 3P, 24V (M37, M38, M39, M40, M41, M42, M43, M44, M45, M46)	M30	HKR-20CA
NS	0259K00003 ASSY, WIRE HARNESS (M38, M39, M41, M42, M43, M44, M45, M46)	M31	HKR-20CAA
NS	1378714 ASSY, WIRE HARNESS (M37, M40)	M32	HKR-20CB
NS	B1368250 TERMINAL BLOCK A-10 KW (M37, M38, M39, M40, M41, M42, M43, M44, M45, M46)	M33	HKR-20CBA
		M34	HKR-21C
		M35	HKR-21CA
		M36	HKR-21CB
		M37	HKR3-15
		M38	HKR3-15A
		M39	HKR3-15B
		M40	HKR3-20
		M41	HKR3-20A
		M42	HKR3-20B
		M43	HKR4-15A
		M44	HKR4-20A
		M45	HKR5-12A
		M46	HKR5-15A

NOTE:
HKA-15CA & HKP-15CA replaces HKR-15C*
HKA-20CA & HKP-20CA replaces HKR-20C*
kits

HKR Kits With Circuit Breakers

Image 1

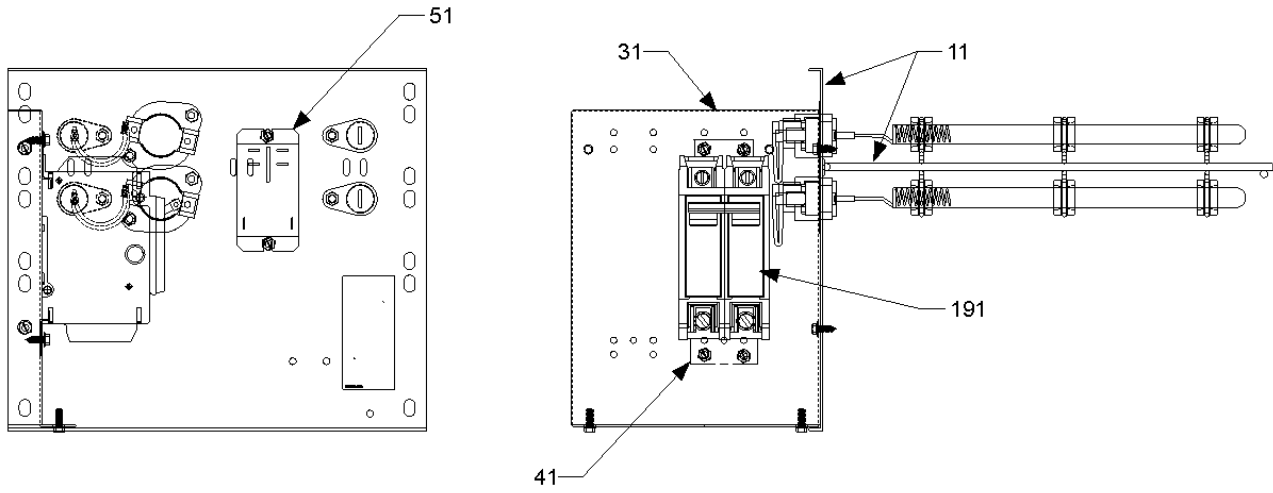
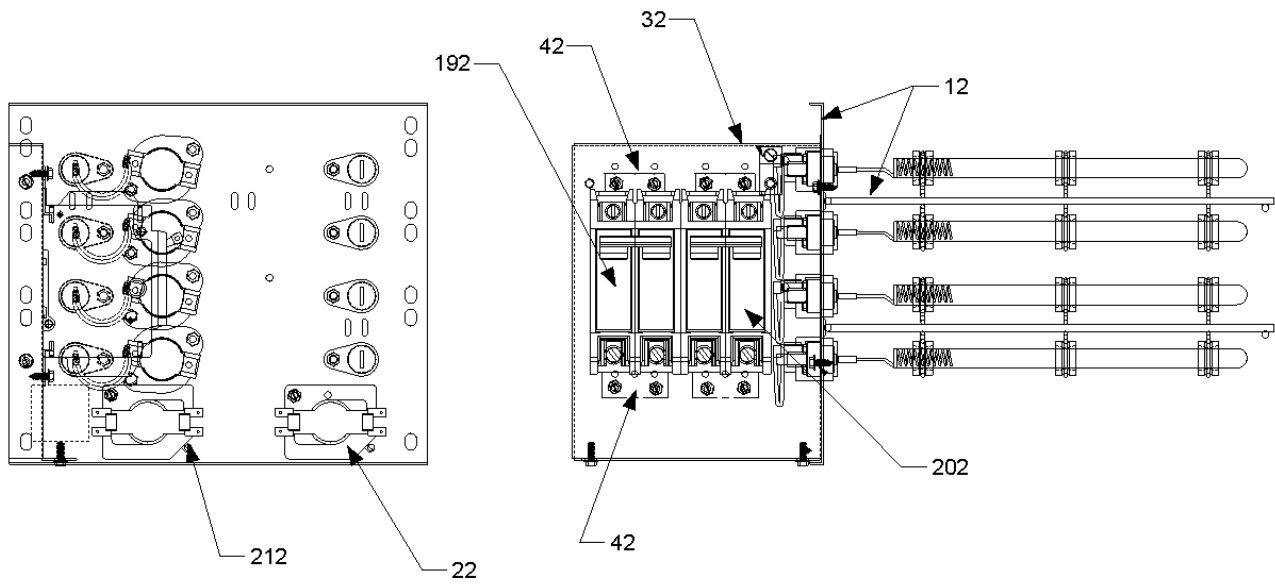


Image 2



HKR Kits With Circuit Breakers

Ref. Part No: No:	Description:	Ref. Part No: No:	Description:
<i>Image 1:</i>		Expanded Model Nomenclature	
11	B1037505 HEATER ELEMENT 4.75 KW (M9)	M1	HKA-15CA
11	B1037507 HEATER ELEMENT 7.00 KW (M16)	M2	HKA-20CA
11	B1037508 HEATER ELEMENT 9.50 KW (M21)	M3	HKP-15CA
31	1495206 CIRCUIT BREAKER PLATE (M9, M16, M21)	M4	HKP-20CA
41	1753603 MOUNTING BRACKET (M9, M16, M21)	M5	HKR-03
51	B1370783 RELAY 2P, 30 AMP (M9, M16, M21)	M6	HKR-03A
191	B1753511 60 AMP CIRCUIT BREAKER (GE) (M21)	M7	HKR-05
191	B1753510 CIRCUIT BREAKER 30 AMP (ITE) (M9)	M8	HKR-05A
191	B1753517 CIRCUIT BREAKER 40 AMP (ITE) (M16)	M9	HKR-05C
NS	1378713 ASSY, WIRE HARNESS (M9, M16, M21)	M10	HKR-05CA
<i>Image 2:</i>		M11	HKR-05CB
12	B1037502 HEATER ELEMENT 15.00 KW (M24)	M12	HKR-06
12	B1037503 HEATER ELEMENT 20.00 KW (M29)	M13	HKR-06A
12	B1037513 HEATER ELEMENT 21.00 KW (M34)	M14	HKR-08
22	B1256551 SEQUENCER 5 KW (M24)	M15	HKR-08A
22	B1256557 SEQUENCER DOUBLE BLADE (M29, M34)	M16	HKR-08C
32	1495206 CIRCUIT BREAKER PLATE (M24, M29, M34)	M17	HKR-08CA
42	1753603 MOUNTING BRACKET (M24, M29, M34)	M18	HKR-08CB
192	B1753511 60 AMP CIRCUIT BREAKER (GE) (QTY 2) (M34)	M19	HKR-10
192	B1753511 CIRCUIT BREAKER 60 AMP (ITE) (M29)	M20	HKR-10A
202	B1753510 CIRCUIT BREAKER 30 AMP (ITE) (M24)	M21	HKR-10C
212	B1256552 SEQUENCER A-8-10KW (M24, M29, M34)	M22	HKR-10CA
NS	1378701 ASSY, WIRE HARNESS 2-STAGE (M24, M29, M34)	M23	HKR-10CB
		M24	HKR-15C
		M25	HKR-15CA
		M26	HKR-15CAA
		M27	HKR-15CB
		M28	HKR-15CBA
		M29	HKR-20C
		M30	HKR-20CA
		M31	HKR-20CAA
		M32	HKR-20CB
		M33	HKR-20CBA
		M34	HKR-21C
		M35	HKR-21CA
		M36	HKR-21CB
		M37	HKR3-15
		M38	HKR3-15A
		M39	HKR3-15B
		M40	HKR3-20
		M41	HKR3-20A
		M42	HKR3-20B
		M43	HKR4-15A
		M44	HKR4-20A
		M45	HKR5-12A
		M46	HKR5-15A

NOTE:
HKA-15CA & HKP-15CA replaces HKR-15C*
HKA-20CA & HKP-20CA replaces HKR-20C*
kits

HKR Kits With Circuit Breakers

Image 1

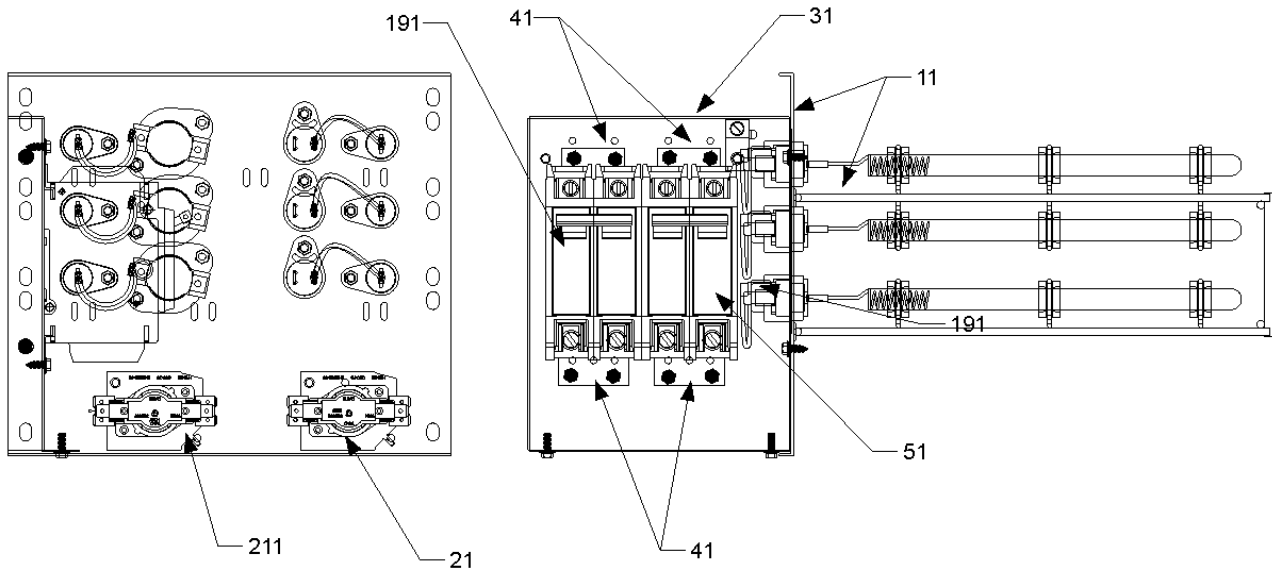
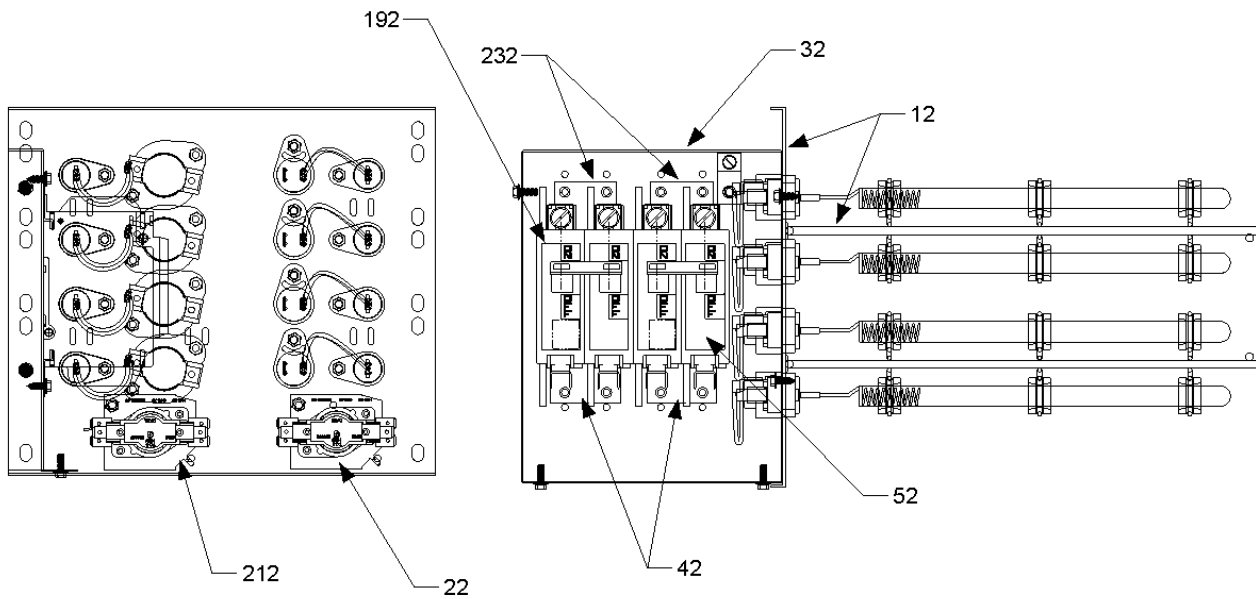


Image 2



HKR Kits With Circuit Breakers

Ref. Part No: No:	Description:	Ref. Part No: No:	Description:
<i>Image 1:</i>		Expanded Model Nomenclature	
11	B1037519 HEATER ELEMENT 14.25 KW (M25)	M1	HKA-15CA
11	B1037520 HEATER ELEMENT 19.00 KW (M30)	M2	HKA-20CA
11	B1037523 HEATER ELEMENT 21.00 KW (M35)	M3	HKP-15CA
11	B1037515 HEATER ELEMENT 4.75 KW (M10)	M4	HKP-20CA
11	B1037517 HEATER ELEMENT 7.00 KW (M17)	M5	HKR-03
11	B1037518 HEATER ELEMENT 9.50 KW (M22)	M6	HKR-03A
21	B1256558 SEQUENCER (M10, M25)	M7	HKR-05
21	B1256559 SEQUENCER (M17, M22)	M8	HKR-05A
21	B1256560 SEQUENCER (M30, M35)	M9	HKR-05C
31	1495206 CIRCUIT BREAKER PLATE (M10, M17, M22, M25, M30, M35)	M10	HKR-05CA
41	1753603 MOUNTING BRACKET (QTY 2) (M10, M17, M22)	M11	HKR-05CB
41	1753603 MOUNTING BRACKET (QTY 4) (M25, M30, M35)	M12	HKR-06
51	B1753510 30 AMP CIRCUIT BREAKER (GE) (M10, M25)	M13	HKR-06A
51	B1753517 40 AMP CIRCUIT BREAKER (GE) (M17)	M14	HKR-08
51	B1753511 60 AMP CIRCUIT BREAKER (GE) (M30, M35)	M15	HKR-08A
191	B1753511 CIRCUIT BREAKER 60 AMP (ITE) (M22, M25)	M16	HKR-08C
211	B1256559 SEQUENCER (M17, M22, M25, M30, M35)	M17	HKR-08CA
NS	0259K00002 ASSY, WIRE HARNESS (M25, M30, M35)	M18	HKR-08CB
NS	0259K00004 ASSY, WIRE HARNESS (M10, M17, M22)	M19	HKR-10
<i>Image 2:</i>		M20	HKR-10A
12	B1037519 HEATER ELEMENT 14.25 KW (M26)	M21	HKR-10C
12	B1037520 HEATER ELEMENT 19.00 KW (M31)	M22	HKR-10CA
12	B1037523 HEATER ELEMENT 21.00 KW (M36)	M23	HKR-10CB
12	B1037515 HEATER ELEMENT 4.75 KW (M11)	M24	HKR-15C
12	B1037517 HEATER ELEMENT 7.00 KW (M18)	M25	HKR-15CA
12	B1037518 HEATER ELEMENT 9.50 KW (M23)	M26	HKR-15CAA
22	B1256558 SEQUENCER (M11, M26)	M27	HKR-15CB
22	B1256560 SEQUENCER (M31, M36)	M28	HKR-15CBA
32	1495206 CIRCUIT BREAKER PLATE (M11, M18, M23, M26, M31, M36)	M29	HKR-20C
42	1753603 MOUNTING BRACKET (M11, M18, M23)	M30	HKR-20CA
42	1753603 MOUNTING BRACKET (QTY 2) (M26, M31, M36)	M31	HKR-20CAA
52	B1753520 30 AMP CIRCUIT BREAKER (SIEMENS) (M11, M26)	M32	HKR-20CB
52	B1753521 40 AMP CIRCUIT BREAKER (SIEMENS) (M18)	M33	HKR-20CBA
192	B1753522 60 AMP CIRCUIT BREAKER (SIEMENS) (M23, M26)	M34	HKR-21C
192	B1753522 60 AMP CIRCUIT BREAKER (SIEMENS) (QTY 2) (M31, M36)	M35	HKR-21CA
212	B1256559 SEQUENCER (M18, M23, M36)	M36	HKR-21CB
212	B1256559 SEQUENCER (M19, M24, M29, M34, M37)	M37	HKR3-15
212	B1256559 SEQUENCER (M31)	M38	HKR3-15A
212	B1256560 SEQUENCER (M36)	M39	HKR3-15B
232	1753602 MOUNTING BRACKET (M11, M18, M23)	M40	HKR3-20
232	1753602 MOUNTING BRACKET (QTY 2) (M31, M36)	M41	HKR3-20A
NS	0259K00002 ASSY, WIRE HARNESS (M26, M31, M36)	M42	HKR3-20B
NS	0259K00004 ASSY, WIRE HARNESS (M11, M18, M23)	M43	HKR4-15A
		M44	HKR4-20A
		M45	HKR5-12A
		M46	HKR5-15A

NOTE:
HKA-15CA & HKP-15CA replaces HKR-15C*
HKA-20CA & HKP-20CA replaces HKR-20C*
kits

HKR Kits With Circuit Breakers

Image 1

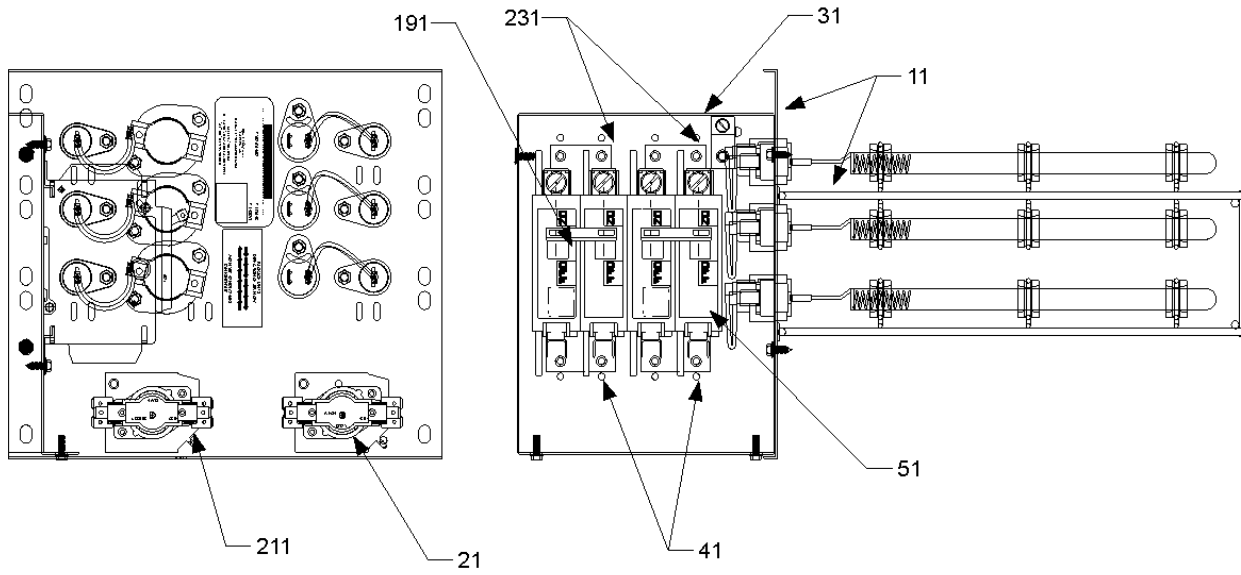
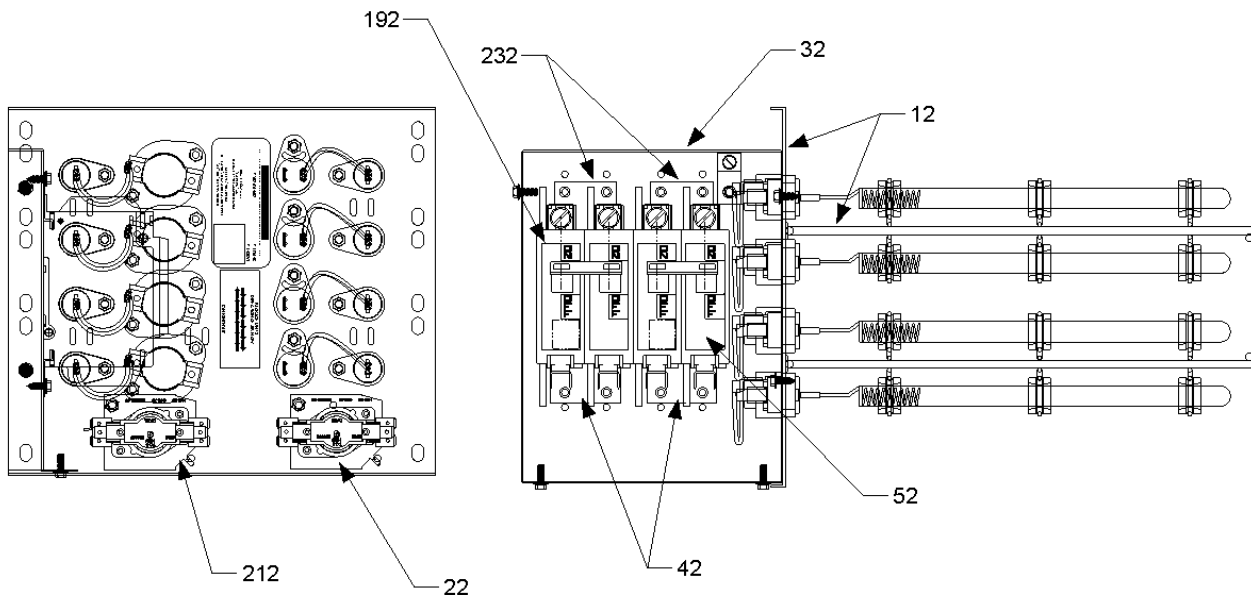


Image 2



HKR Kits With Circuit Breakers

Ref. Part No: No:	Description:	Ref. Part No: No:	Description:
-------------------	--------------	-------------------	--------------

Image 1:

11	B1037519	HEATER ELEMENT 14.25 KW (M27)
11	B1037520	HEATER ELEMENT, 19.00 KW (M32)
21	B1256558	SEQUENCER (M27)
21	B1256560	SEQUENCER (M32)
31	1495206	CIRCUIT BREAKER PLATE (M27, M32)
41	1753603	MOUNTING BRACKET (M27, M32)
51	CBK2PD240VA025	CBK, 2 POLE, DUAL 120/240V, 25A (M27)
51	CBK2PD240VA045	CBK, 2 POLE, DUAL 120/240V, 45A (M32)
191	CBK2PD240VA050	CBK, 2POLE, DUAL 120/240V, 50A (M27, M32)
211	B1256559	SEQUENCER (M27, M32)
231	1753602	MOUNTING BRACKET (M27, M32)
NS	0259K00002	WIRE HARNESS, ASSY (M27, M32)

Image 2:

12	B1037519	HEATER ELEMENT 14.25 KW (M28)
12	B1037520	HEATER ELEMENT 19.00 KW (M28, M33)
22	B1256558	SEQUENCER (M28)
22	B1256560	SEQUENCER (M28, M33)
32	1495206	CIRCUIT BREAKER PLATE (M28, M33)
42	1753603	MOUNTING BRACKET (M28, M33)
52	CBK2PD240VA025	CBK, 2 POLE, DUAL 120/240V, 25A (M28)
52	CBK2PD240VA050	CBK, 2 POLE, DUAL 120/240V, 50A (M33)
192	CBK2PD240VA060	CBK, 2POLE, DUAL 120/240V, 60A (M28, M33)
212	B1256559	SEQUENCER (M28, M33)
232	1753602	MOUNTING BRACKET (M28, M33)
NS	0259K00002	WIRE HARNESS, ASSY (M28, M33)

Expanded Model Nomenclature

M1 - HKA-15CA
M2 - HKA-20CA
M3 - HKP-15CA
M4 - HKP-20CA
M5 - HKR-03
M6 - HKR-03A
M7 - HKR-05
M8 - HKR-05A
M9 - HKR-05C
M10 - HKR-05CA
M11 - HKR-05CB
M12 - HKR-06
M13 - HKR-06A
M14 - HKR-08
M15 - HKR-08A
M16 - HKR-08C
M17 - HKR-08CA
M18 - HKR-08CB
M19 - HKR-10
M20 - HKR-10A
M21 - HKR-10C
M22 - HKR-10CA
M23 - HKR-10CB
M24 - HKR-15C
M25 - HKR-15CA
M26 - HKR-15CAA
M27 - HKR-15CB
M28 - HKR-15CBA
M29 - HKR-20C
M30 - HKR-20CA
M31 - HKR-20CAA
M32 - HKR-20CB
M33 - HKR-20CBA
M34 - HKR-21C
M35 - HKR-21CA
M36 - HKR-21CB
M37 - HKR3-15
M38 - HKR3-15A
M39 - HKR3-15B
M40 - HKR3-20
M41 - HKR3-20A
M42 - HKR3-20B
M43 - HKR4-15A
M44 - HKR4-20A
M45 - HKR5-12A
M46 - HKR5-15A

NOTE:
HKA-15CA & HKP-15CA replaces HKR-15C*
HKA-20CA & HKP-20CA replaces HKR-20C*
kits

HKA / HKP Kits with Circuit Breakers

Image 1

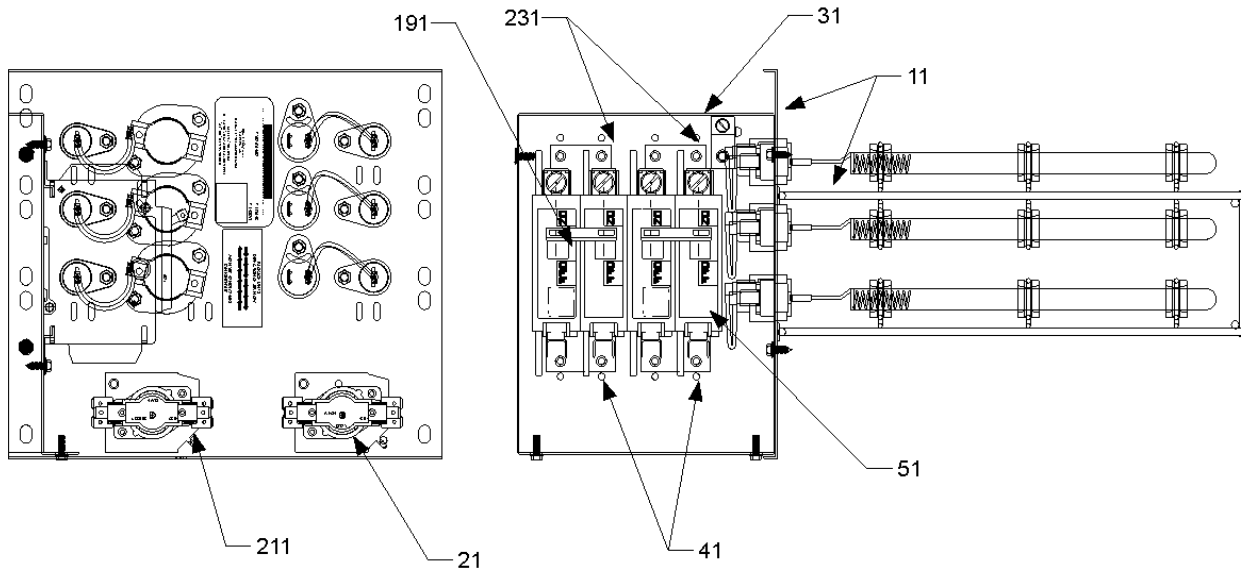
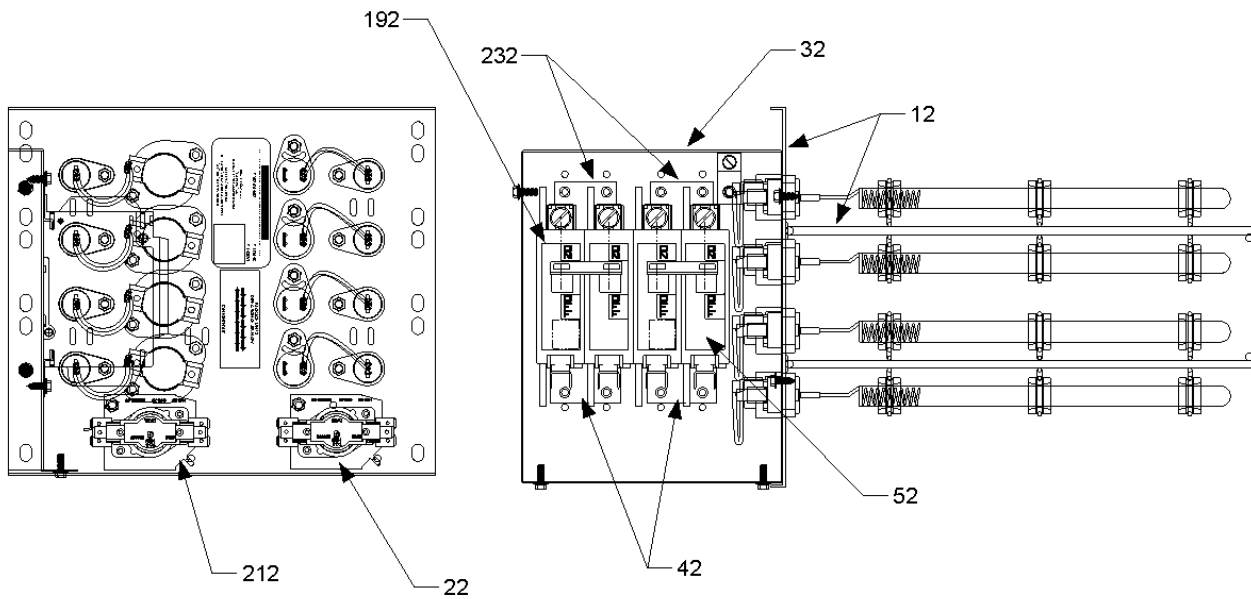


Image 2



HKA / HKP Kits with Circuit Breakers

Ref. Part No: No:	Description:	Ref. Part No: No:	Description:
-------------------	--------------	-------------------	--------------

Image 1:

11	B1037519	HEATER ELEMENT 14.25 KW (M1, M3)
21	B1256558	SEQUENCER (M1, M3)
31	1495206	CIRCUIT BREAKER PLATE (M1, M3)
41	1753603	MOUNTING BRACKET (M1, M3)
51	CBK2PD240VA025	CBK, 2 POLE, DUAL 120/240V, 25A (M1, M3)
191	CBK2PD240VA045	CBK, 2 POLE, DUAL 120/240V, 45A (M3)
191	CBK2PD240VA050	CBK, 2POLE, DUAL 120/240V, 50A (M1)
211	B1256559	SEQUENCER (M1, M3)
231	1753602	MOUNTING BRACKET (M1, M3)
NS	0259K00002	WIRE HARNESS, ASSY (M1, M3)

Image 2:

12	B1037520	HEATER ELEMENT 19.00 KW (M2, M4)
22	B1256560	SEQUENCER (M2, M4)
32	1495206	CIRCUIT BREAKER PLATE (M2, M4)
42	1753603	MOUNTING BRACKET (M2, M4)
52	CBK2PD240VA045	CBK, 2 POLE, DUAL 120/240V, 45A (M4)
52	CBK2PD240VA050	CBK, 2 POLE, DUAL 120/240V, 50A (M2)
192	CBK2PD240VA045	CBK, 2 POLE, DUAL 120/240V, 45A (M2, M4)
212	B1256559	SEQUENCER (M2, M4)
232	1753602	MOUNTING BRACKET (M2, M4)
NS	0259K00002	WIRE HARNESS, ASSY (M2, M4)

Expanded Model Nomenclature

M1 - HKA-15CA
M2 - HKA-20CA
M3 - HKP-15CA
M4 - HKP-20CA
M5 - HKR-03
M6 - HKR-03A
M7 - HKR-05
M8 - HKR-05A
M9 - HKR-05C
M10 - HKR-05CA
M11 - HKR-05CB
M12 - HKR-06
M13 - HKR-06A
M14 - HKR-08
M15 - HKR-08A
M16 - HKR-08C
M17 - HKR-08CA
M18 - HKR-08CB
M19 - HKR-10
M20 - HKR-10A
M21 - HKR-10C
M22 - HKR-10CA
M23 - HKR-10CB
M24 - HKR-15C
M25 - HKR-15CA
M26 - HKR-15CAA
M27 - HKR-15CB
M28 - HKR-15CBA
M29 - HKR-20C
M30 - HKR-20CA
M31 - HKR-20CAA
M32 - HKR-20CB
M33 - HKR-20CBA
M34 - HKR-21C
M35 - HKR-21CA
M36 - HKR-21CB
M37 - HKR3-15
M38 - HKR3-15A
M39 - HKR3-15B
M40 - HKR3-20
M41 - HKR3-20A
M42 - HKR3-20B
M43 - HKR4-15A
M44 - HKR4-20A
M45 - HKR5-12A
M46 - HKR5-15A

NOTE:
HKA-15CA & HKP-15CA replaces HKR-15C*
HKA-20CA & HKP-20CA replaces HKR-20C*
kits